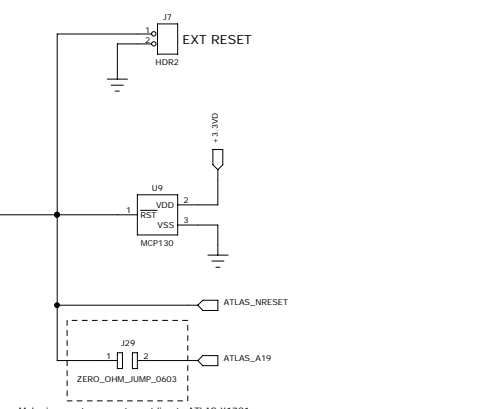
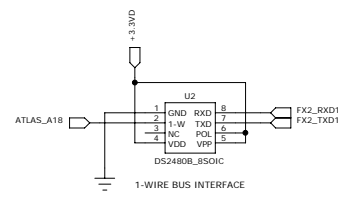
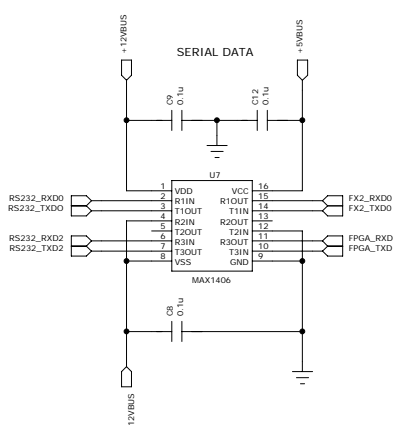
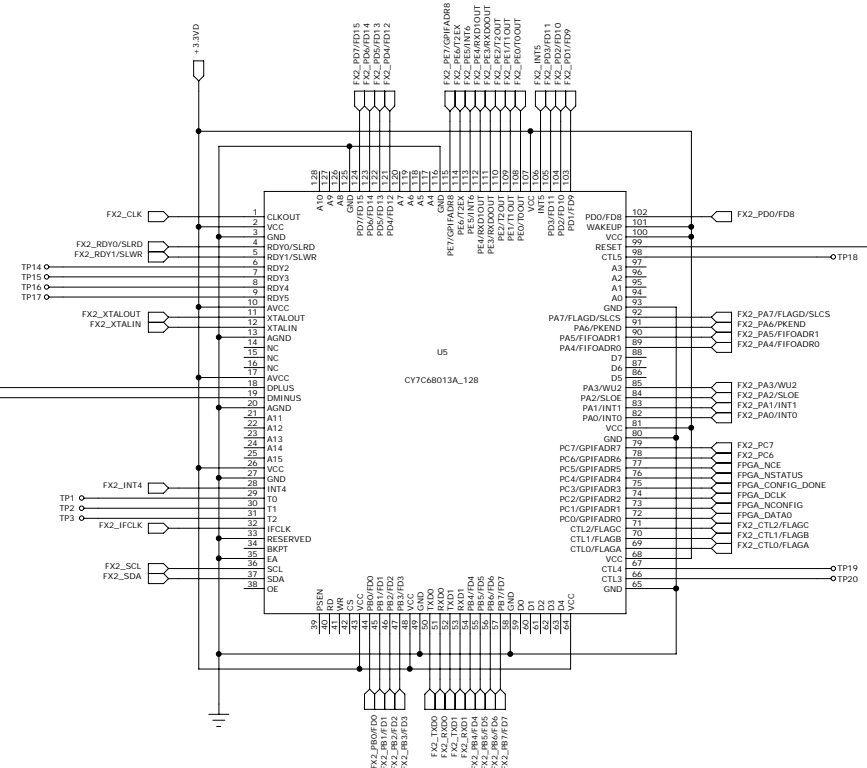
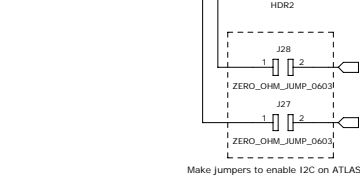
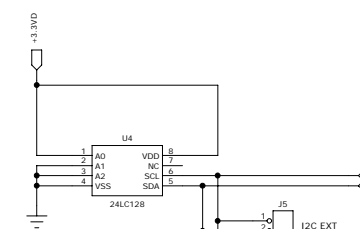
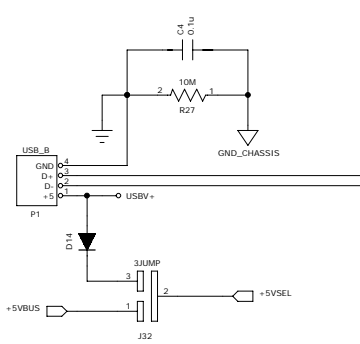
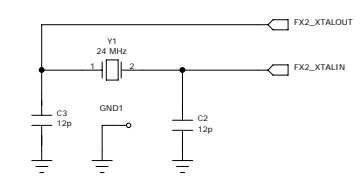


REVISION RECORD		

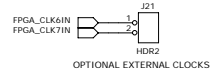
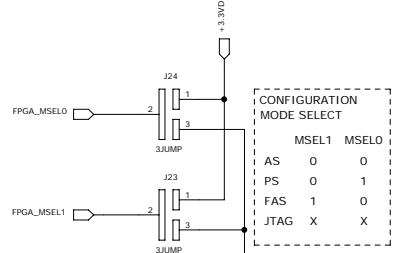
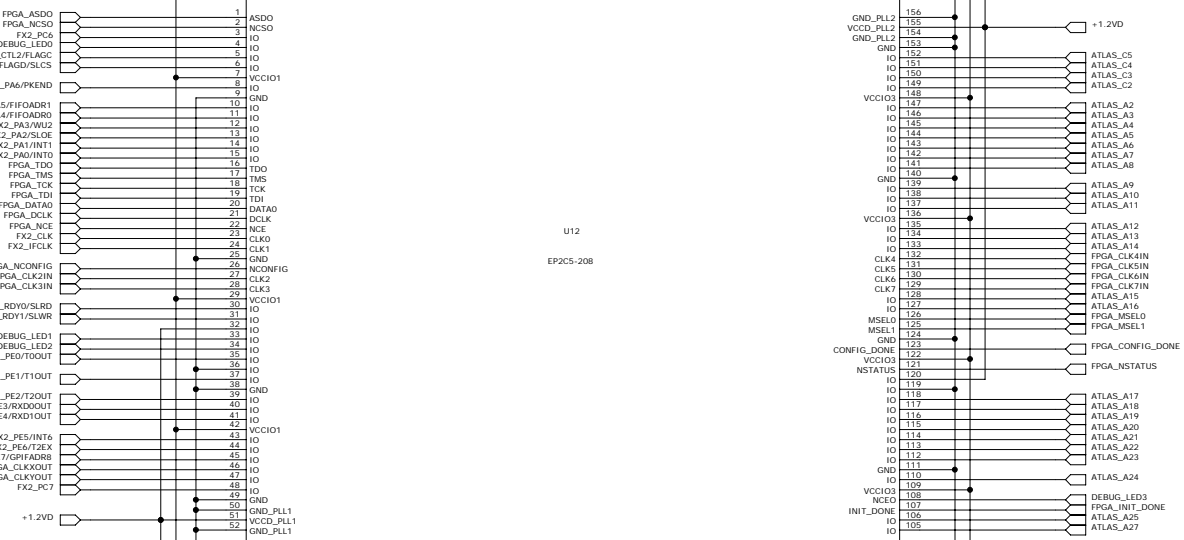
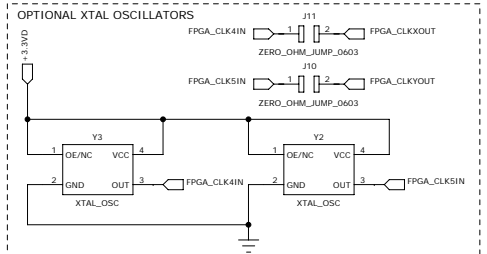
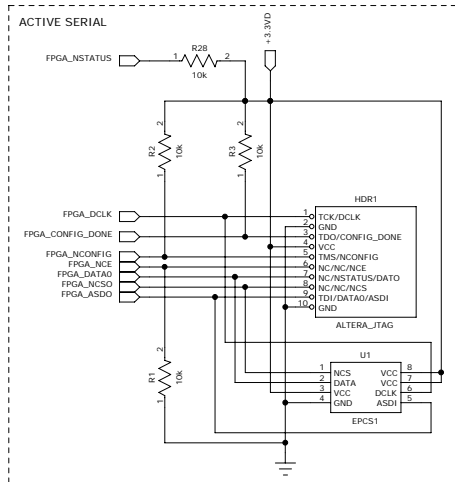
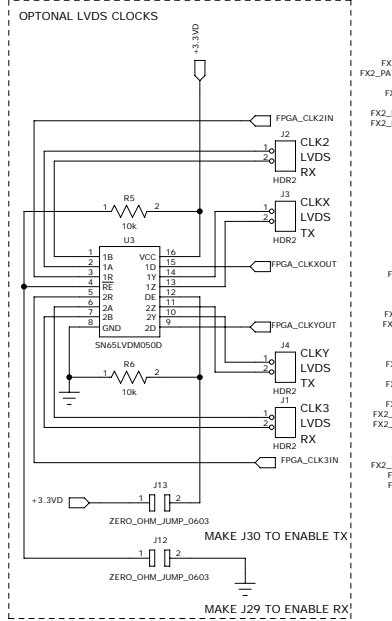
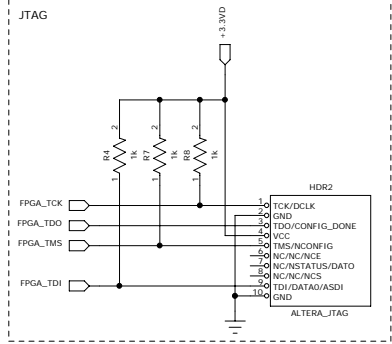


<http://tapr.org/OHL>
 Non-Commercial
 Copyright 2006 Philip A. Covington, N8VB

COMPANY: OPEN HIGH PERFORMANCE SOFTWARE DEFINED RADIO PROJECT
 TITLE: OZY FPGA_USB Board (Beta)

DRAWN: N8VB	DATED: 06 OCT 2006	CODE:	SIZE: C	DRAWING NO: OZY_REV.B.sch	REV: B
CHECKED:	DATED:	SCALE: NONE	SHEET: 1 OF 4		

REVISION RECORD	



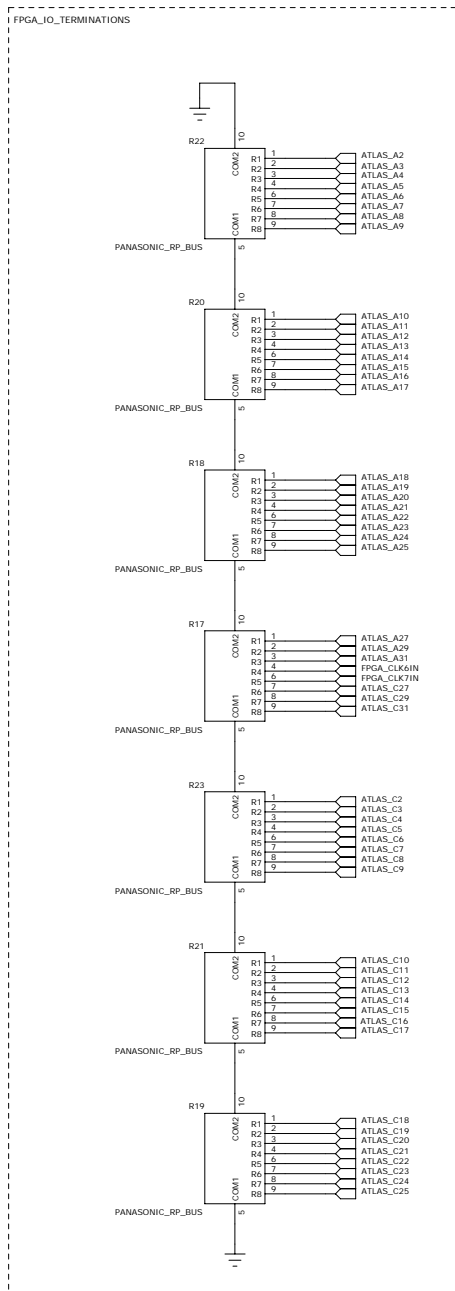
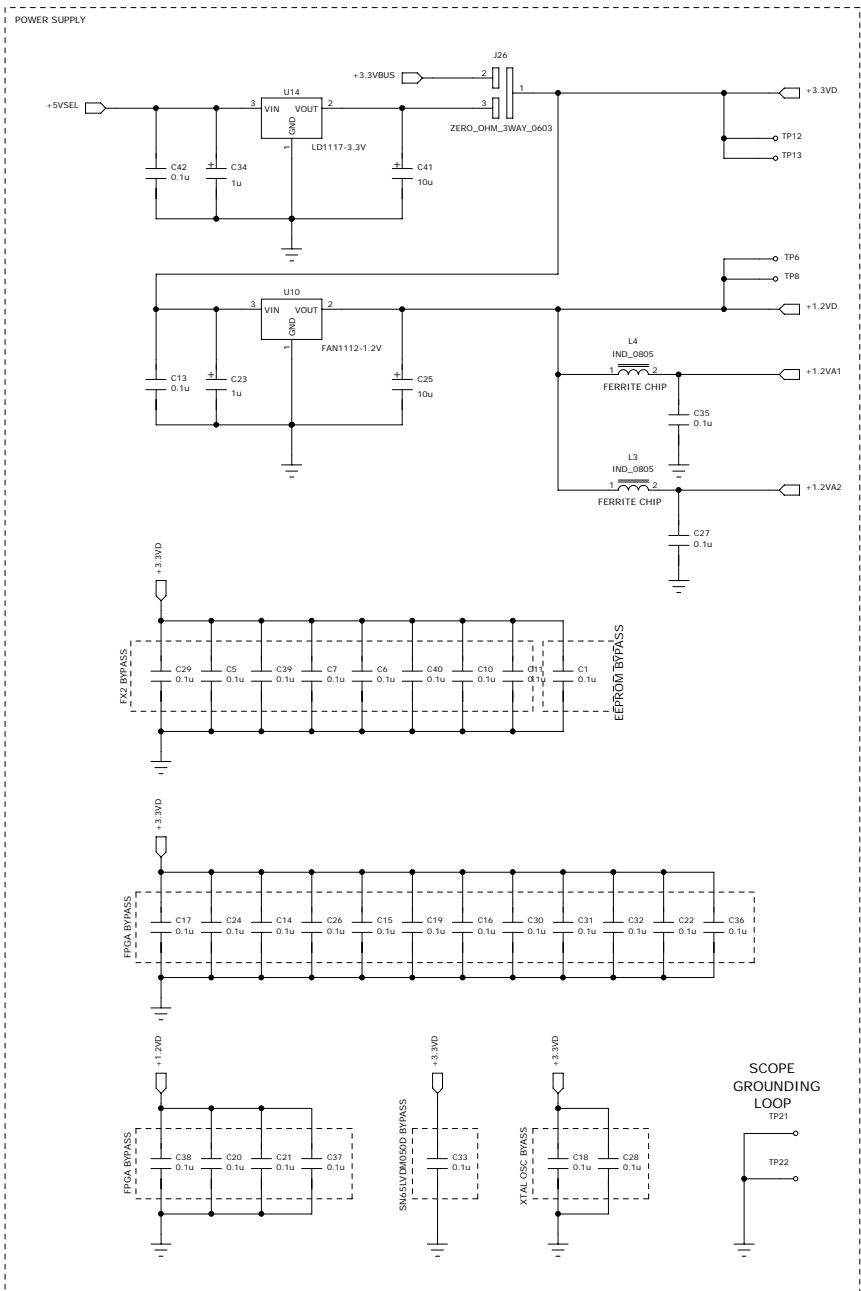
<http://tapr.org/OHL>
 Non-Commercial
 Copyright 2006 Philip A. Covington, N8VB

COMPANY: OPEN HIGH PERFORMANCE SOFTWARE DEFINED RADIO PROJECT

TITLE: OZY FPGA_USB Board (Beta)

DRAWN: N8VB	DATED: 06 OCT 2006	CODE:	SIZE: C	DRAWING NO: OZY_REV.B.sch	REV: B
CHECKED:	DATED:	SCALE: NONE	SHEET: 2 OF 4		

REVISION RECORD		



<http://tapr.org/OHL>
 Non-Commercial
 Copyright 2006 Philip A. Covington, N8VB
 COMPANY: OPEN HIGH PERFORMANCE SOFTWARE DEFINED RADIO PROJECT
 TITLE: OZY FPGA_USB Board (Beta)

DRAWN: N8VB	DATED: 06 OCT 2006	CODE:	SIZE: C	DRAWING NO: OZY_REVb.sch	REV: B
CHECKED:	DATED:	SCALE: NONE	SHEET: 4 OF 4		